

**7 inches
Chassis LCD Monitor
Demand 40070**



Feature

- 1.High Contrast color TFT LCD Monitor support resolution up to WVGA (800 x 480)**
- 2.Power management system conforms to VESA DPMS and EPA Energy Star standards.**
- 3.Full consideration for touch screen installation and application.**
- 4.Universal Power adapter.**
- 5.Support DDC1 & DDC2B for Plug & Play compatibility.**
- 6.Advanced OSD control for picture quality adjustment.**
- 7.Detachable stand for wall-mounting application.**
- 8.Heavy duty Monitor with steel frame.**
- 9.Custom design by request.**

Specification

Display	Viewing Size Image	7"
	Active Display Area (mm)	152.4(H) x 91.44 (V)
	Pixel Pitch (mm)	0.1905(H) x 0.1905(V)
	Resolution	800 x 480
	Contrast Ratio	500 : 1(typ.)
	Color	262k
	Brightness	500 cd/m ²
	Viewing Angle	-70~70 (H) ; -60~60 (V)
	Recommended Resolution	800 x 480@ 60Hz
	Signal Connector	VGA,DVI

**7 inches
Chassis LCDMonitor
Demand 40070**



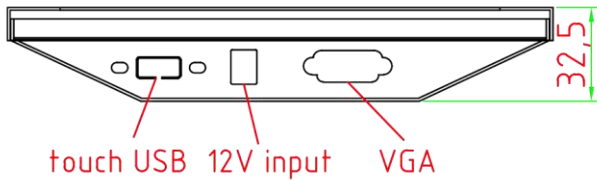
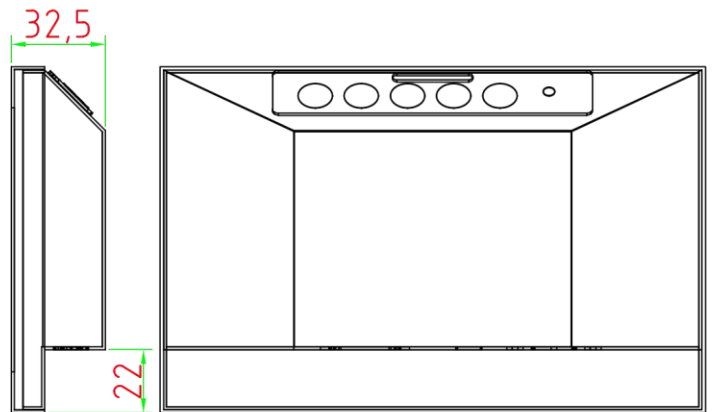
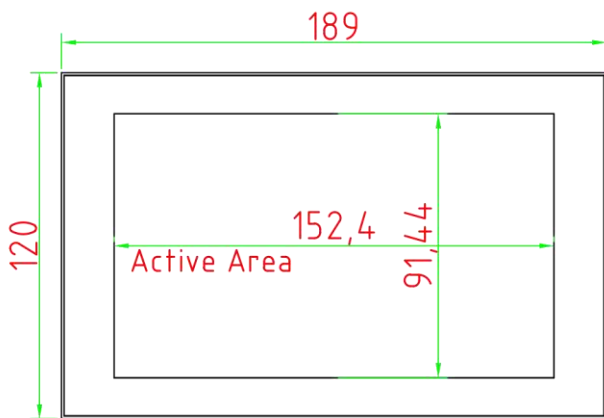
Specification

Power	Source	12V DC in, with External AC-DC Adapter(100-240V)
	Consumption	3.6W typical, normal operation
	Management	VESA DPMS Compliant
Optional	Touch	Resistive, PCAP
	High Brightness	1000,1500
	Auto Dimming	YES
	POWER in	DC24V, DC9V~36V
	Remote Control	YES
	IO	AV,HDMI,DP

7 inches Chassis LCDMonitor Demand 40070



Mechanical Drawing



Unit:mm

